

## PARIGI PALLA MONOPOINT SUSPENSION

### D141093-

base number                      Finish                       
Options                     

- To build a product code in our configurator select the specify button on the base model # product page
- To build a manual product code on this datasheet choose from the options listed below in blue font and add the suffix to the base model #

#### GENERAL

Series: Parigi Palla                       
Subseries: Parigi Palla Monopoint                       
Brand: Cangini & Tucci                       
Division: Design                       
Mounting Type: Suspension                       
Mounting Location: Ceiling                       
Subcategory: Pendant                     

#### PHYSICAL

Shape: Sphere                       
Diameter (mm): 160                       
Diameter (in): 6 <sup>5</sup>/<sub>16</sub>                       
Height (mm): 160                       
Height (in): 6 <sup>5</sup>/<sub>16</sub>                       
Max. Overall Height (mm): 1660                       
Max. Overall Height (in): 65 <sup>3</sup>/<sub>8</sub>                       
Light Distribution: Omnidirectional                       
Weight (kg): 0.49                       
Weight (lbs): 1.08                       
[Fixture Finish: AMB / GRN / PNK / RUB / SKB / SMK / TOB / TRA](#)                       
Holder Finish: CHR                       
Fixture Material: Glass / Metal                       
Cable Details: 1500mm Cable                     

#### ELECTRICAL

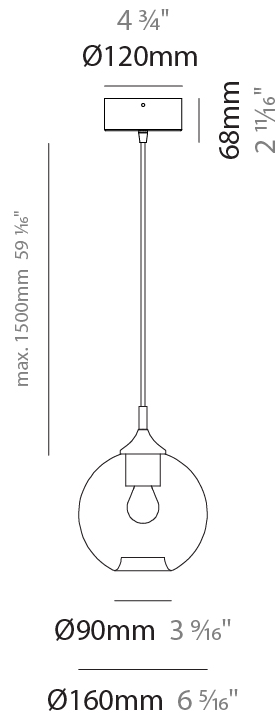
Number of Lamps: 1                       
Lamp Type: LED Retrofit                       
Bulb Included: Bulb Not Included                       
Max. Wattage Per Lamp (W): 4                       
Lamp Base: E12                       
Input Voltage (V): 120                     

#### LED

#### OPTICAL

#### RATINGS AND CERTIFICATIONS

Certified By: Certified for North American Standards                       
IP rating: IP20                     



## PARIGI PALLA MONOPOINT SUSPENSION

D141093-

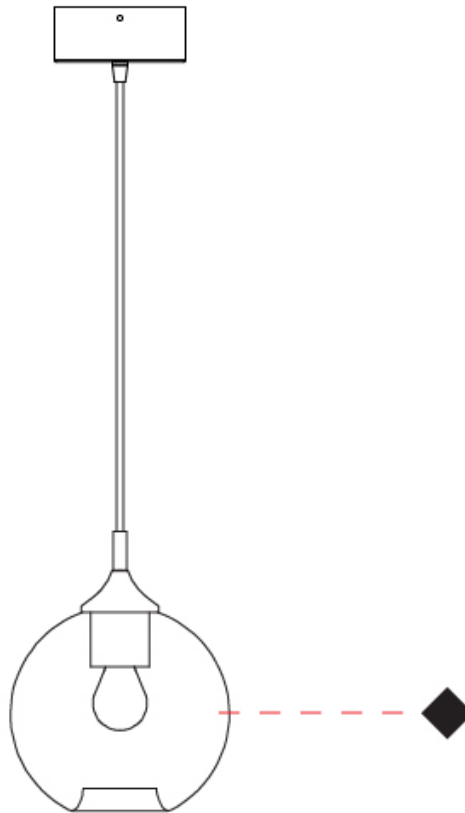
PROJECT

TYPE

SPECIFIER

QUANTITY

DATE



D

## PARIGI PALLA MONOPOINT SUSPENSION

### D141094-

base number                      Finish                       
Options                     

- To build a product code in our configurator select the specify button on the base model # product page
- To build a manual product code on this datasheet choose from the options listed below in blue font and add the suffix to the base model #

#### GENERAL

Series: Parigi Palla                       
Subseries: Parigi Palla Monopoint                       
Brand: Cangini & Tucci                       
Division: Design                       
Mounting Type: Suspension                       
Mounting Location: Ceiling                       
Subcategory: Pendant                     

#### PHYSICAL

Shape: Sphere                       
Diameter (mm): 220                       
Diameter (in): 8 <sup>11</sup>/<sub>16</sub>                       
Height (mm): 220                       
Height (in): 8 <sup>11</sup>/<sub>16</sub>                       
Max. Overall Height (mm): 1720                       
Max. Overall Height (in): 67 <sup>11</sup>/<sub>16</sub>                       
Light Distribution: Omnidirectional                       
Weight (kg): 1.20                       
Weight (lbs): 2.65                       
Fixture Finish:                                                                                                                                                                                                                    
Holder Finish: CHR                       
Fixture Material: Glass / Metal                       
Cable Details: 1500mm Cable                     

#### ELECTRICAL

Number of Lamps: 1                       
Lamp Type: LED Retrofit                       
Bulb Included: Bulb Not Included                       
Max. Wattage Per Lamp (W): 8                       
Lamp Base: E26                       
Input Voltage (V): 120                       
Upon Request: 277Vac / GU24                     

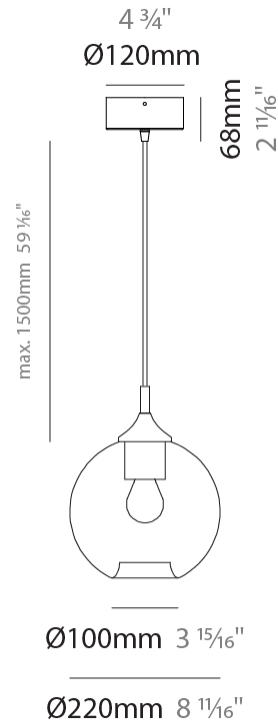
#### LED

#### OPTICAL

#### RATINGS AND CERTIFICATIONS

Certified By: Certified for North American Standards                       
IP rating: IP20                     

PROJECT	_____
TYPE	_____
SPECIFIER	_____
QUANTITY	_____
DATE	_____



## PARIGI PALLA MONOPOINT SUSPENSION

D141094-

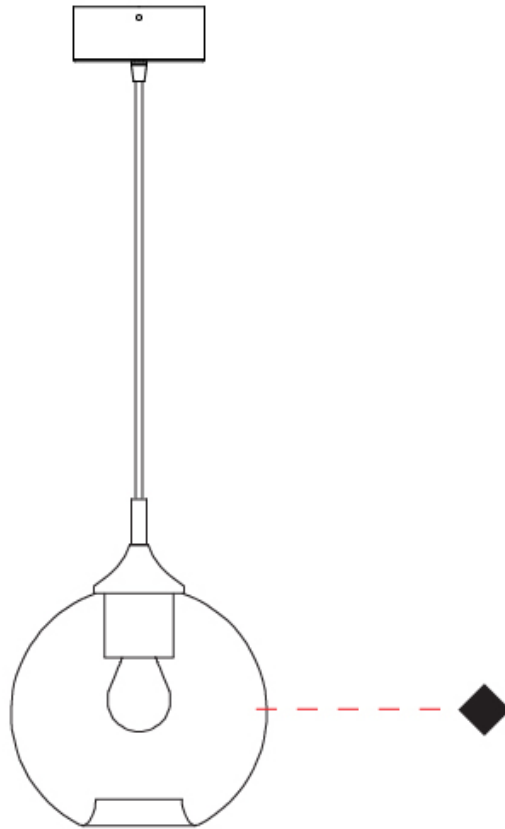
PROJECT

TYPE

SPECIFIER

QUANTITY

DATE



D

PROJECT	
TYPE	
SPECIFIER	
QUANTITY	
DATE	

## PARIGI PALLA MONOPOINT SUSPENSION

### D141095-

base number                      Finish                       
Options                     

- To build a product code in our configurator select the specify button on the base model # product page
- To build a manual product code on this datasheet choose from the options listed below in blue font and add the suffix to the base model #

#### GENERAL

Series: Parigi Palla                       
Subseries: Parigi Palla Monopoint                       
Brand: Cangini & Tucci                       
Division: Design                       
Mounting Type: Suspension                       
Mounting Location: Ceiling                       
Subcategory: Pendant                     

#### PHYSICAL

Shape: Sphere                       
Diameter (mm): 280                       
Diameter (in): 11                       
Height (mm): 280                       
Height (in): 11                       
Max. Overall Height (mm): 1780                       
Max. Overall Height (in): 70 <sup>7</sup>/<sub>16</sub>                       
Light Distribution: Omnidirectional                       
Weight (kg): 1.50                       
Weight (lbs): 3.31                       
Fixture Finish: [AMB](#) / [GRN](#) / [PNK](#) / [RUB](#) / [SKB](#) / [SMK](#) / [TOB](#) / [TRA](#)                       
Holder Finish: CHR                       
Fixture Material: Glass / Metal                       
Cable Details: 1500mm Cable                     

#### ELECTRICAL

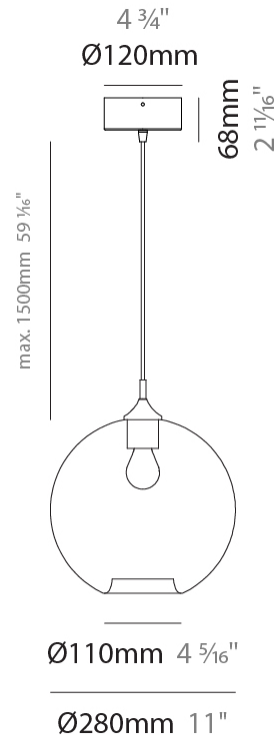
Number of Lamps: 1                       
Lamp Type: LED Retrofit                       
Bulb Included: Bulb Not Included                       
Max. Wattage Per Lamp (W): 8                       
Lamp Base: E26                       
Input Voltage (V): 120                       
Upon Request: 277Vac / GU24                     

#### LED

#### OPTICAL

#### RATINGS AND CERTIFICATIONS

Certified By: Certified for North American Standards                       
IP rating: IP20                     



## PARIGI PALLA MONOPOINT SUSPENSION

D141095-

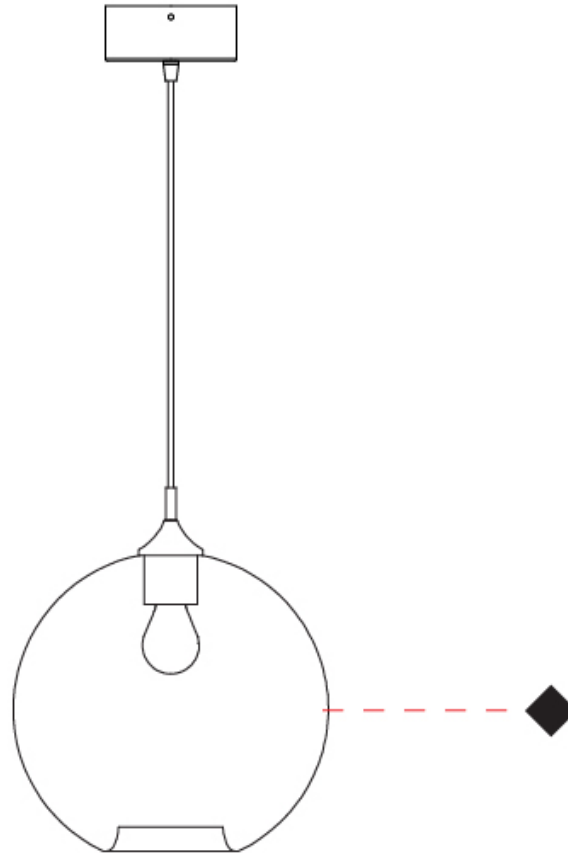
PROJECT \_\_\_\_\_

TYPE \_\_\_\_\_

SPECIFIER \_\_\_\_\_

QUANTITY \_\_\_\_\_

DATE \_\_\_\_\_



D

PROJECT	_____
TYPE	_____
SPECIFIER	_____
QUANTITY	_____
DATE	_____

## PARIGI PALLA MONOPOINT SUSPENSION

### D141096-

base number                      Finish                       
Options                     

- To build a product code in our configurator select the specify button on the base model # product page
- To build a manual product code on this datasheet choose from the options listed below in blue font and add the suffix to the base model #

#### GENERAL

Series: Parigi Palla  
Subseries: Parigi Palla Monopoint  
Brand: Cangini & Tucci  
Division: Design  
Mounting Type: Suspension  
Mounting Location: Ceiling  
Subcategory: Pendant

#### PHYSICAL

Shape: Sphere  
Diameter (mm): 380  
Diameter (in): 14 <sup>15</sup>/<sub>16</sub>  
Height (mm): 380  
Height (in): 14 <sup>15</sup>/<sub>16</sub>  
Max. Overall Height (mm): 1880  
Max. Overall Height (in): 74  
Light Distribution: Omnidirectional  
Weight (kg): 2.40  
Weight (lbs): 5.29  
Fixture Finish: [AMB / GRN / PNK / RUB / SKB / SMK / TOB / TRA](#)  
Holder Finish: CHR  
Fixture Material: Glass / Metal  
Cable Details: 1500mm Cable

#### ELECTRICAL

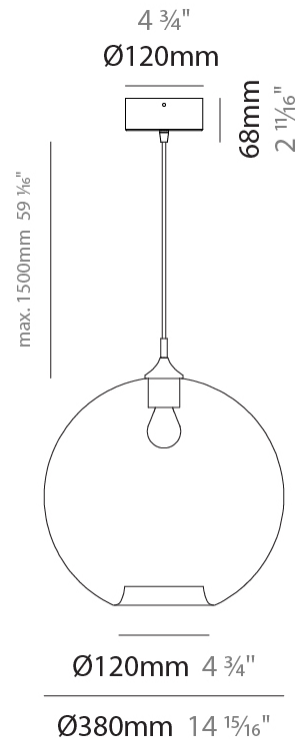
Number of Lamps: 1  
Lamp Type: LED Retrofit  
Bulb Included: Bulb Not Included  
Max. Wattage Per Lamp (W): 8  
Lamp Base: E26  
Input Voltage (V): 120  
Upon Request: 277Vac / GU24

#### LED

#### OPTICAL

#### RATINGS AND CERTIFICATIONS

Certified By: Certified for North American Standards  
IP rating: IP20



## PARIGI PALLA MONOPOINT SUSPENSION

D141096-

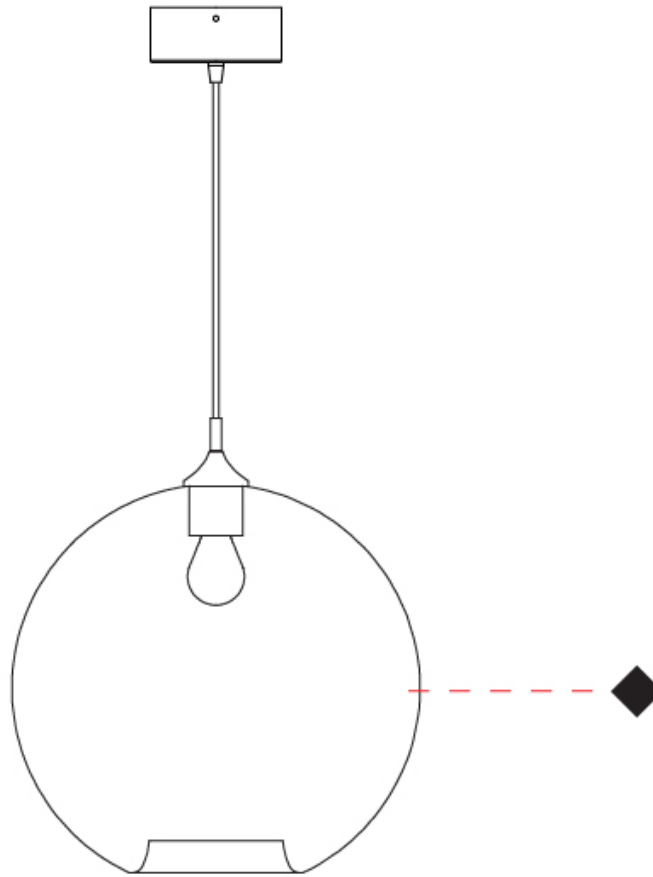
PROJECT

TYPE

SPECIFIER

QUANTITY

DATE



D



PROJECT	
TYPE	
SPECIFIER	
QUANTITY	
DATE	

## PARIGI PALLA 3 LIGHT CLUSTER SUSPENSION

### D141101-

base number Finish  
Options

- To build a product code in our configurator select the specify button on the base model # product page
- To build a manual product code on this datasheet choose from the options listed below in blue font and add the suffix to the base model #

#### GENERAL

Series: Parigi Palla  
 Subseries: Parigi Palla 3 Light Cluster  
 Brand: Cangini & Tucci  
 Division: Design  
 Mounting Type: Suspension  
 Mounting Location: Ceiling  
 Subcategory: Pendant

#### PHYSICAL

Shape: Sphere  
 Diameter (mm): 430  
 Diameter (in): 16 <sup>15</sup>/<sub>16</sub>  
 Max. Overall Height (mm): 1500  
 Max. Overall Height (in): 59 <sup>1</sup>/<sub>16</sub>  
 Light Distribution: Omnidirectional  
 Weight (kg): 6.94  
 Weight (lbs): 15.30  
 Fixture Finish: [AMB](#) / [GRN](#) / [PNK](#) / [RUB](#) / [SKB](#) / [SMK](#) / [TOB](#) / [TRA](#)  
 Holder Finish: PSS  
 Fixture Material: Glass / Metal  
 Cable Details: 1500mm Cable

#### ELECTRICAL

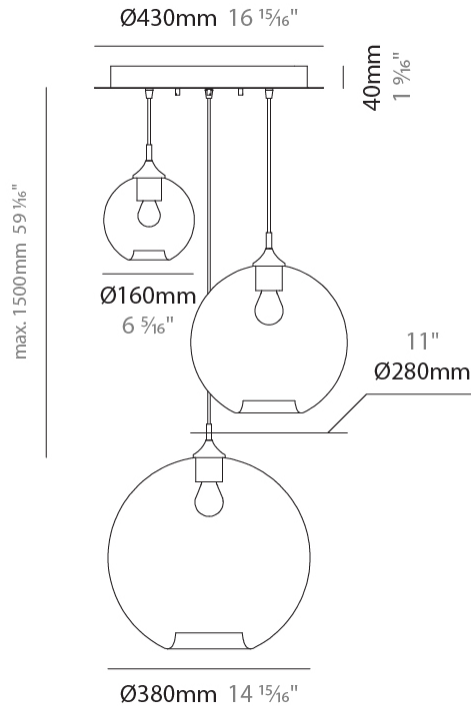
Number of Lamps: 3  
 Lamp Type: LED Retrofit  
 Bulb Included: Bulb Not Included  
 Total Output Wattage (W): 20  
 Max. Wattage Per Lamp (W): 8 + 4  
 Lamp Base: E26 + E12  
 Input Voltage (V): 120

#### LED

#### OPTICAL

#### RATINGS AND CERTIFICATIONS

Certified By: Certified for North American Standards  
 IP rating: IP20



## PARIGI PALLA 3 LIGHT CLUSTER SUSPENSION

D141101-

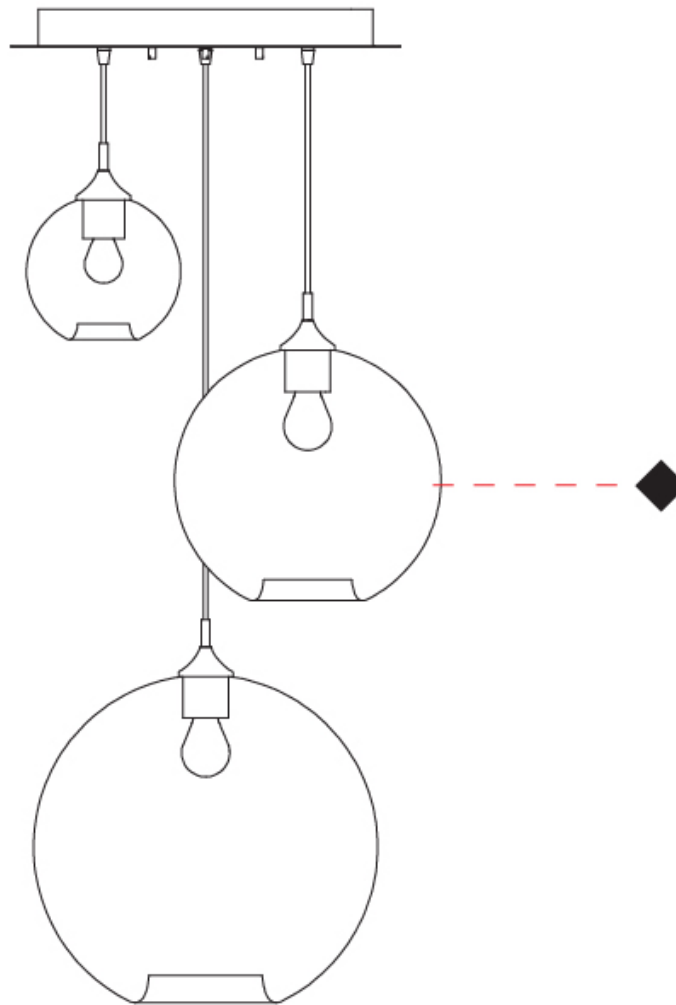
PROJECT

TYPE

SPECIFIER

QUANTITY

DATE



D

## PARIGI PALLA MONOPOINT SUSPENSION

### D141102-

base number                      Finish                       
Options                     

- To build a product code in our configurator select the specify button on the base model # product page
- To build a manual product code on this datasheet choose from the options listed below in blue font and add the suffix to the base model #

#### GENERAL

Series: Parigi Palla                       
Subseries: Parigi Palla Monopoint                       
Brand: Cangini & Tucci                       
Division: Design                       
Mounting Type: Suspension                       
Mounting Location: Ceiling                       
Subcategory: Pendant                     

#### PHYSICAL

Shape: Sphere                       
Diameter (mm): 160                       
Diameter (in): 6 <sup>5</sup>/<sub>16</sub>                       
Height (mm): 160                       
Height (in): 6 <sup>5</sup>/<sub>16</sub>                       
Max. Overall Height (mm): 1660                       
Max. Overall Height (in): 65 <sup>3</sup>/<sub>8</sub>                       
Light Distribution: Omnidirectional                       
Weight (kg): 0.49                       
Weight (lbs): 1.1                       
Fixture Finish: [AMB / GRN / PNK / RUB / SKB / SMK / TOB / TRA](#)                       
Holder Finish: CHR                       
Fixture Material: Glass / Metal                       
Cable Details: 1500mm Cable                     

#### ELECTRICAL

Number of Lamps: 1                       
Lamp Type: LED Retrofit                       
Bulb Included: Bulb Not Included                       
Max. Wattage Per Lamp (W): 4                       
Lamp Base: E12                       
Input Voltage (V): 120                     

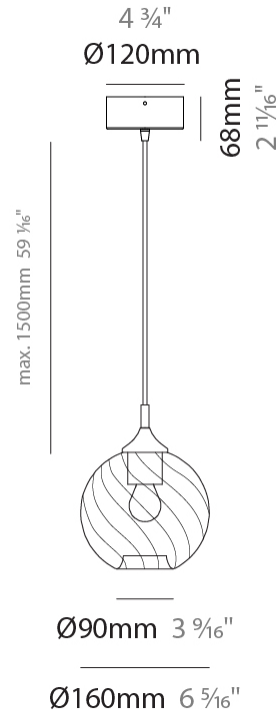
#### LED

#### OPTICAL

#### RATINGS AND CERTIFICATIONS

Certified By: Certified for North American Standards                       
IP rating: IP20                     

PROJECT	_____
TYPE	_____
SPECIFIER	_____
QUANTITY	_____
DATE	_____



## PARIGI PALLA MONOPOINT SUSPENSION

D141102-

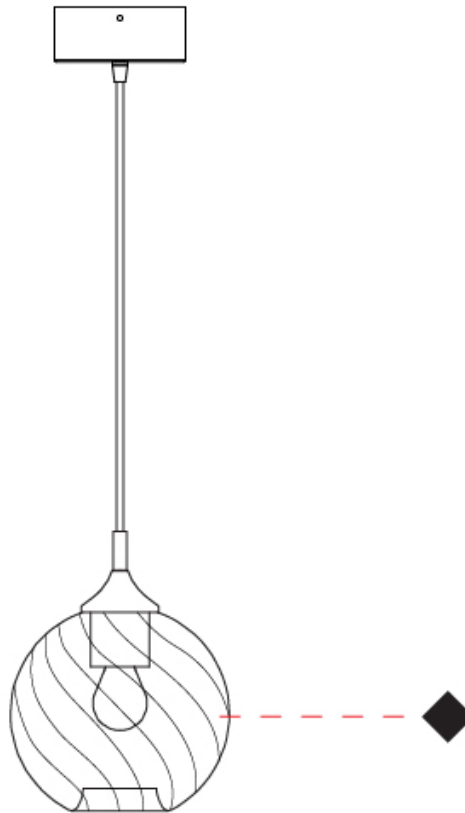
PROJECT

TYPE

SPECIFIER

QUANTITY

DATE



D

## PARIGI PALLA SURFACE

### D143016-

base number Finish  
Options

PROJECT
TYPE
SPECIFIER
QUANTITY
DATE

- To build a product code in our configurator select the specify button on the base model # product page
- To build a manual product code on this datasheet choose from the options listed below in blue font and add the suffix to the base model #

#### GENERAL

Series: Parigi Palla  
 Brand: Cangiini & Tucci  
 Division: Design  
 Mounting Type: Surface  
 Mounting Location: Wall  
 Subcategory: Ambient

#### PHYSICAL

Shape: Sphere  
 Length (mm): 150  
 Length (in): 5 <sup>7</sup>/<sub>8</sub>  
 Height (mm): 250  
 Depth (mm): 190  
 Height (in): 9 <sup>13</sup>/<sub>16</sub>  
 Depth (in): 7 <sup>1</sup>/<sub>2</sub>  
 Light Distribution: Omnidirectional  
 Weight (kg): 0.49  
 Weight (lbs): 1.08  
 Fixture Finish: [AMB / GRN / PNK / RUB / SKB / SMK / TOB / TRA](#)  
 Holder Finish: CHR  
 Fixture Material: Glass / Metal

#### ELECTRICAL

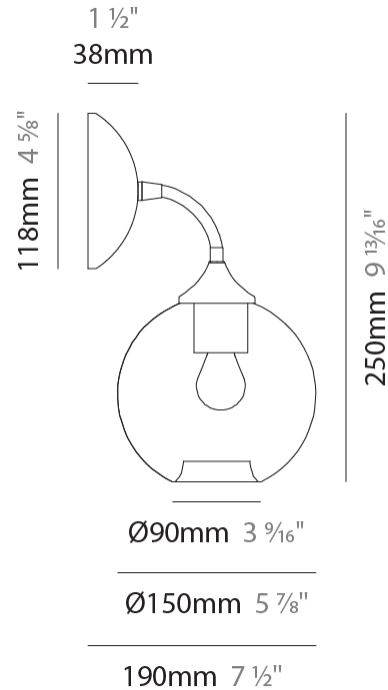
Number of Lamps: 1  
 Lamp Type: LED Retrofit  
 Bulb Included: Bulb Not Included  
 Max. Wattage Per Lamp (W): 4  
 Lamp Base: E12  
 Input Voltage (V): 120

#### LED

#### OPTICAL

#### RATINGS AND CERTIFICATIONS

Certified By: Certified for North American Standards  
 IP rating: IP20



D143016-

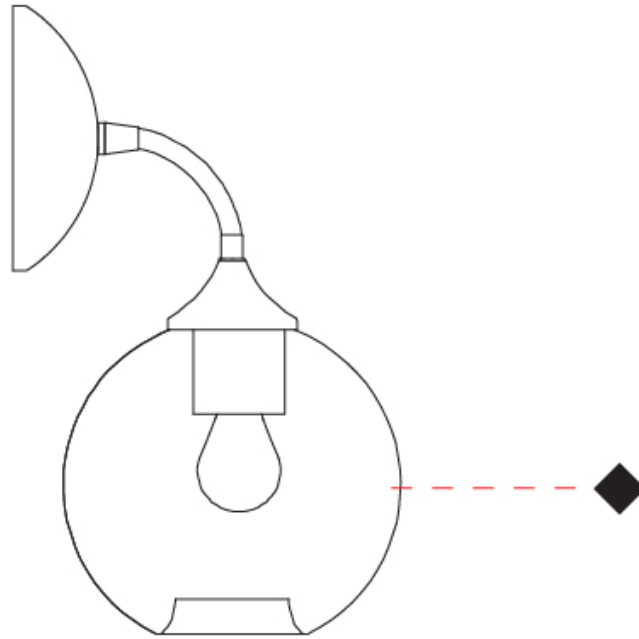
PROJECT \_\_\_\_\_

TYPE \_\_\_\_\_

SPECIFIER \_\_\_\_\_

QUANTITY \_\_\_\_\_

DATE \_\_\_\_\_



D

## PARIGI PALLA PORTABLE

### D144014-

base number                      Finish                       
Options                     

- To build a product code in our configurator select the specify button on the base model # product page
- To build a manual product code on this datasheet choose from the options listed below in blue font and add the suffix to the base model #

#### GENERAL

Series: Parigi Palla                       
Brand: Cangini & Tucci                       
Division: Design                       
Mounting Type: Portable                       
Mounting Location: Table                       
Subcategory: Ambient                     

#### PHYSICAL

Shape: Sphere                       
Diameter (mm): 160                       
Diameter (in): 6 <sup>5</sup>/<sub>16</sub>                       
Height (mm): 340                       
Height (in): 13 <sup>3</sup>/<sub>8</sub>                       
Light Distribution: Omnidirectional                       
Weight (kg): 0.52                       
Weight (lbs): 1.15                       
Fixture Finish: [AMB](#) / [GRN](#) / [PNK](#) / [RUB](#) / [SKB](#) / [SMK](#) / [TOB](#) / [TRA](#)                       
Holder Finish: CHR                       
Fixture Material: Glass / Metal                     

#### ELECTRICAL

Number of Lamps: 1                       
Lamp Type: LED Retrofit                       
Bulb Included: Bulb Not Included                       
Max. Wattage Per Lamp (W): 4                       
Lamp Base: E12                       
Input Voltage (V): 120                     

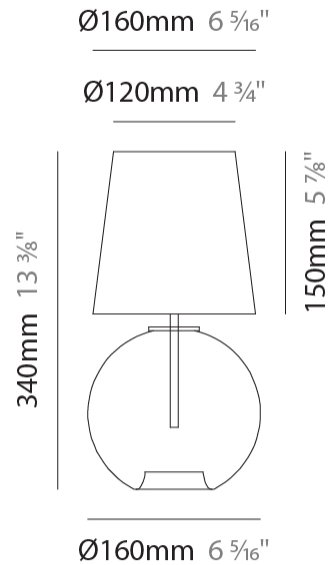
#### LED

#### OPTICAL

#### RATINGS AND CERTIFICATIONS

Certified By: Certified for North American Standards                       
IP rating: IP20                     

PROJECT	_____
TYPE	_____
SPECIFIER	_____
QUANTITY	_____
DATE	_____



## PARIGI PALLA PORTABLE

D144014-

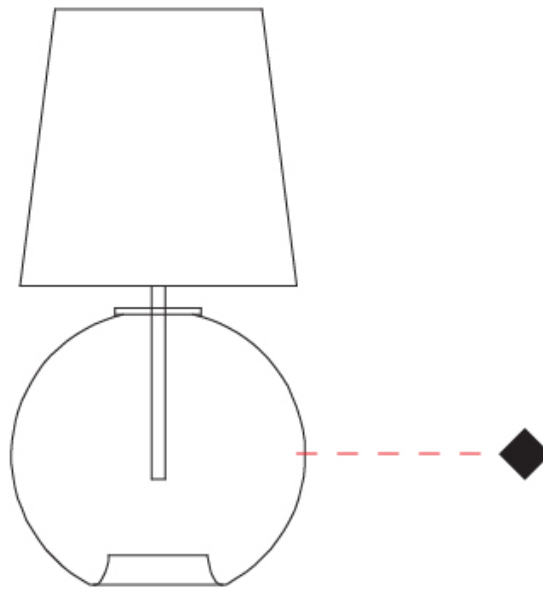
PROJECT

TYPE

SPECIFIER

QUANTITY

DATE



D



## PARIGI PALLA PORTABLE

### D144015-

base number                      Finish                       
Options                     

PROJECT	_____
TYPE	_____
SPECIFIER	_____
QUANTITY	_____
DATE	_____

- To build a product code in our configurator select the specify button on the base model # product page
- To build a manual product code on this datasheet choose from the options listed below in blue font and add the suffix to the base model #

#### GENERAL

Series: Parigi Palla  
 Brand: Cangiini & Tucci  
 Division: Design  
 Mounting Type: Portable  
 Mounting Location: Table  
 Subcategory: Ambient

#### PHYSICAL

Shape: Sphere  
 Diameter (mm): 280  
 Diameter (in): 11  
 Height (mm): 580  
 Height (in): 22 <sup>13</sup>/<sub>16</sub>  
 Light Distribution: Omnidirectional  
 Weight (kg): 1.70  
 Weight (lbs): 3.77  
 Fixture Finish: [AMB](#) / [GRN](#) / [PNK](#) / [RUB](#) / [SKB](#) / [SMK](#) / [TOB](#) / [TRA](#)  
 Holder Finish: CHR  
 Fixture Material: Glass / Metal

#### ELECTRICAL

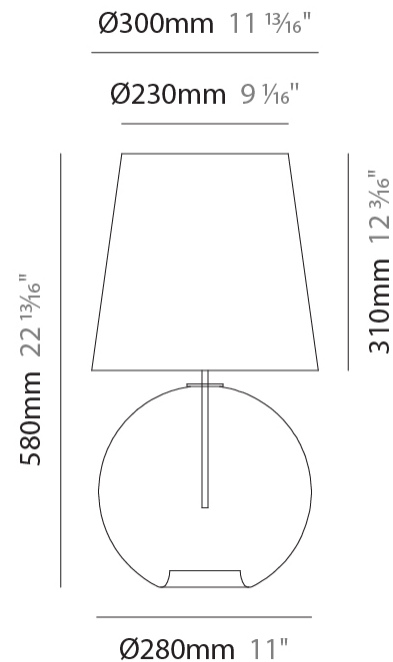
Number of Lamps: 1  
 Lamp Type: LED Retrofit  
 Bulb Included: Bulb Not Included  
 Max. Wattage Per Lamp (W): 7  
 Lamp Base: E26  
 Input Voltage (V): 120  
 Upon Request: 277Vac / GU24

#### LED

#### OPTICAL

#### RATINGS AND CERTIFICATIONS

Certified By: Certified for North American Standards  
 IP rating: IP20



## PARIGI PALLA PORTABLE

D144015-

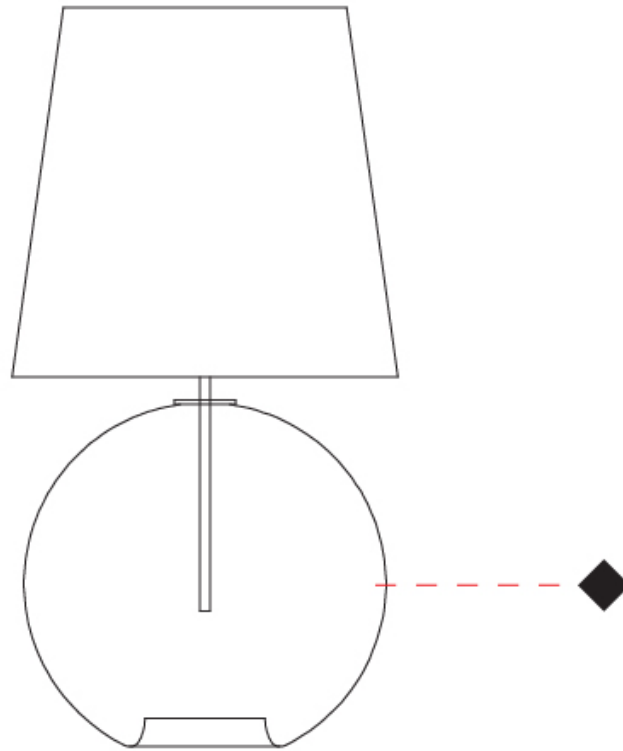
PROJECT

TYPE

SPECIFIER

QUANTITY

DATE



D

## PARIGI PALLA PORTABLE

### D144016-

base number                      Finish                       
Options                     

- To build a product code in our configurator select the specify button on the base model # product page
- To build a manual product code on this datasheet choose from the options listed below in blue font and add the suffix to the base model #

#### GENERAL

Series: Parigi Palla                       
Brand: Cangini & Tucci                       
Division: Design                       
Mounting Type: Portable                       
Mounting Location: Table                       
Subcategory: Ambient                     

#### PHYSICAL

Shape: Sphere                       
Diameter (mm): 380                       
Diameter (in): 14 <sup>15</sup>/<sub>16</sub>                       
Height (mm): 780                       
Height (in): 30 <sup>11</sup>/<sub>16</sub>                       
Light Distribution: Omnidirectional                       
Weight (kg): 2.70                       
Weight (lbs): 5.95                       
Fixture Finish: [AMB](#) / [GRN](#) / [PNK](#) / [RUB](#) / [SKB](#) / [SMK](#) / [TOB](#) / [TRA](#)                       
Holder Finish: CHR                       
Fixture Material: Glass / Metal                     

#### ELECTRICAL

Number of Lamps: 1                       
Lamp Type: LED Retrofit                       
Bulb Included: Bulb Not Included                       
Max. Wattage Per Lamp (W): 7                       
Lamp Base: E26                       
Input Voltage (V): 120                       
Upon Request: 277Vac / GU24                     

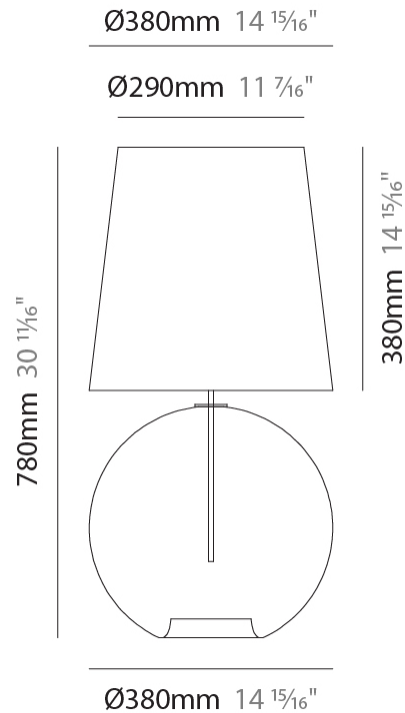
#### LED

#### OPTICAL

#### RATINGS AND CERTIFICATIONS

Certified By: Certified for North American Standards                       
IP rating: IP20                     

PROJECT	_____
TYPE	_____
SPECIFIER	_____
QUANTITY	_____
DATE	_____



## PARIGI PALLA PORTABLE

D144016-

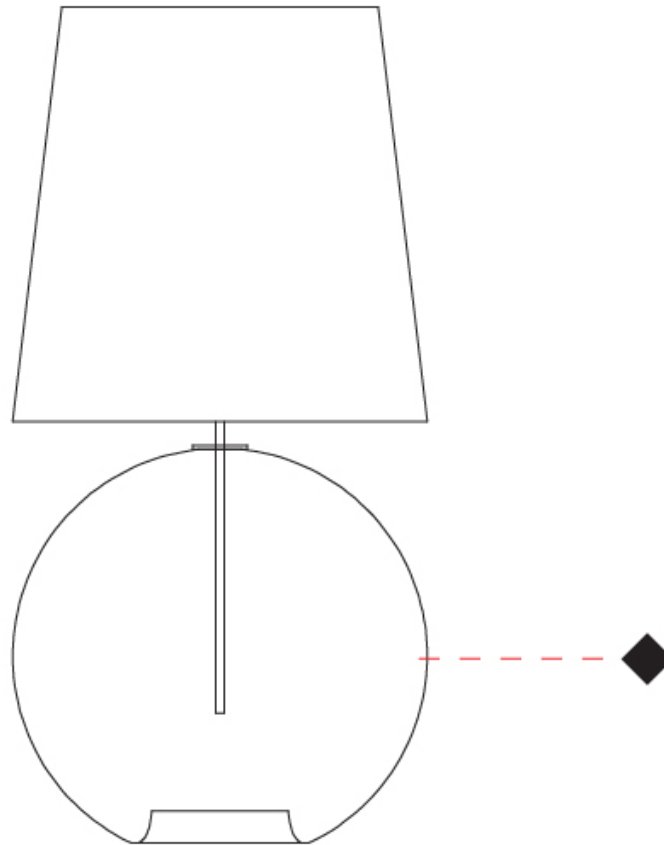
PROJECT

TYPE

SPECIFIER

QUANTITY

DATE



D

## PARIGI PALLA COLOR FINISH CHART

PROJECT	_____
TYPE	_____
SPECIFIER	_____
QUANTITY	_____
DATE	_____

### Fixture Finish

Amber - AMB



Green - GRN



Pink - PNK



Ruby - RUB



Sky Blue - SKB



Smoke - SMK



Tobacco - TOB



Transparent - TRA



### Holder Finish

Chrome - CHR



Polished Stainless Steel - PSS



**Digital:** Not all screens are calibrated the same, and therefore, colors will appear differently between screens.

**Physical:** When texture is involved, there will be variations in color, character and tone within a product series and between product families.



PROJECT	
TYPE	
SPECIFIER	
QUANTITY	
DATE	

### LEGEND

	floor-mounted		pivotal		special LED (upon request) RGB, RGBW, tunable, gold+, meat+, art+, fashion+
	wall and ceiling: recessed and surface mounted		rotating		warm dim / natural dimming LED
	ceiling-mounted and wall-mounted		illuminate tilted		rechargeable battery powered
	wall-mounted		color of suspension cable		fixture with natural vivid LED (upon request)
	omni-directional light distribution		length of suspension cable		color rendering index
	direct light distribution		reflector degree selection		color temperature
	direct/indirect light distribution		super spot		lumen (luminous flux)
	indirect light distribution		lens		efficacy (lumens per watt)
	asymmetric light distribution		lens pack		Unified Glare Rating (UGR) range from 5-40
	aura light distribution		shine ring		marine grade (AISI 316 stainless steel)
	round wall or ceiling cut-out		integrated shine ring with diffuser		walk on
	square wall or ceiling cut-out		free individual colors 01-29		drive on
	the supplied jig specifies the cutout dimensions		individual colors: 00 (free of charge), 01-25 (extra charge)		Dark Sky Compliance
	minimum distance (meters) lamp - object		luminaire part to be colored (F1)		Americans with Disabilities Act (less than 4" off the wall located between 27"-84" from floor)
	recessed depth		luminaire part to be colored (F2)		lamp protected against explosion
	ceiling thickness in mm		luminaire part to be colored (F3)		blown glass using traditional methods by master glass blower
	ceiling thickness selection		luminaire part to be colored (F4)		acoustic material
	dimmable DP (phase), DV (0-10V), DD (dali), DS (step-dim)		luminaire part to be colored (F5)		protection class I, protection insulation
	included or excluded LED driver/transformer/control gear		color of 3-circuit adaptor		protection class II, protection insulation
	separately switchable		indirect diffuser		ETL Certified to UL and CSA Standards
	sensor		direct diffuser		UL Certified to UL and CSA Standards
	remote control		ball-proof (upon request)		CSA Certified to UL and CSA Standards
	available upon request		accessory		Certified for North American Standards

### IP RATING

	protected against ingress of solid bodies greater than 12.5mm (finger)
	protected against ingress of solid bodies greater than 2.5mm protected against sprays of water up to 60 degrees from the vertical (rain)
	protected against ingress of solid bodies greater than 1mm (wire) no protection against the ingress of moisture
	protected against ingress of solid bodies greater than 1mm (wire) protected against sprays of water up to 60 degrees from the vertical (rain)
	protected against ingress of solid bodies greater than 1mm (wire) protected against water splashed from all directions
	protected against limited ingress of dust (wet rooms/covered outdoor areas) protected against water splashed from all directions
	protected against ingress of dust protected against jets of water
	protected against ingress of dust protected against powerful jets of water or heavy seas
	protected against ingress of dust protected against immersion of water between 15cm - 1m for 30 minutes
	protected against ingress of dust protected against immersion of water under pressure for long periods

### IK RATING

	protected against 0.14 joules impact (equivalent to 0.25kg mass dropped from 56mm above the surface)
	protected against 0.2 joules impact (equivalent to 0.25kg mass dropped from 80mm above the surface)
	protected against 0.35 joules impact (equivalent to 0.25kg mass dropped from 140mm above the surface)
	protected against 0.5 joules impact (equivalent to 0.25kg mass dropped from 200mm above the surface)
	protected against 0.7 joules impact (equivalent to 0.25kg mass dropped from 280mm above the surface)
	protected against 1 joules impact (equivalent to 0.25kg mass dropped from 400mm above the surface)
	protected against 2 joules impact (equivalent to 0.5kg mass dropped from 400mm above the surface)
	protected against 5 joules impact (equivalent to 1.7kg mass dropped from 300mm above the surface)
	protected against 10 joules impact (equivalent to 5.0kg mass dropped from 200mm above the surface)
	protected against 20 joules impact (equivalent to 5.0kg mass dropped from 400mm above the surface)